


# Mobile compactors

## Skip lift container

 Container Pressen | Schneckenverdichter | Ballenpressen | Umlade- und Verschiebeanlagen | Hub-Kippvorrichtungen  
Compactors | Auger Compactors | Balers | Transfer and Shifting Stations | Bin Lifters



# Mobile compactors

## Skip lift container

### Versatile and effective

PRESTO mobile compactors can be used wherever large quantities of recycling material, residual waste or commercial waste similar to domestic waste are generated.

A compactor that is firmly connected with the container compacts the material. The feeding opening is especially low to facilitate feeding the PRESTO mobile compactors.

### Easy and safe

Reliable function and user-friendliness go without saying for all PRESTO products. Not only in operation, but also in terms of integration into the working environment.

The use of a PRESTO mobile container does not require any special construction work. An electrical power supply is all that is necessary for putting it into service.



### Carefree disposal

The reuse of recycling material or disposal of waste is an important task in the business activities of many companies.

Our long-standing experience in environmental technology and our most modern development and production methods allow us to manufacture products which our customers use as a functional and cost-efficient link in the chain of recycling material compaction and disposal.

### Tailored for customer needs

Wherever all kinds of materials are generated and need to be disposed PRESTO mobile compactors can be used.

A large choice of accessories allows us to meet all customer-specific requirements.

We develop your individual optimum solution for your disposal problem.

Talk to us !

## Features and benefits

- The particularly low feeding opening and the foldable hook offer maximum feeding comfort.
- The conical shape ensures easy emptying.
- The rib-free structure offers you large advertising space.
- The optimum location of the polyamide guide elements makes for low-maintenance operation.
- The central locking system is operated from one side, so the emptying hatch can be opened safely and quickly.
- The large cleaning door allows comfortable access for service and cleaning.



## Guaranteed powerful performance

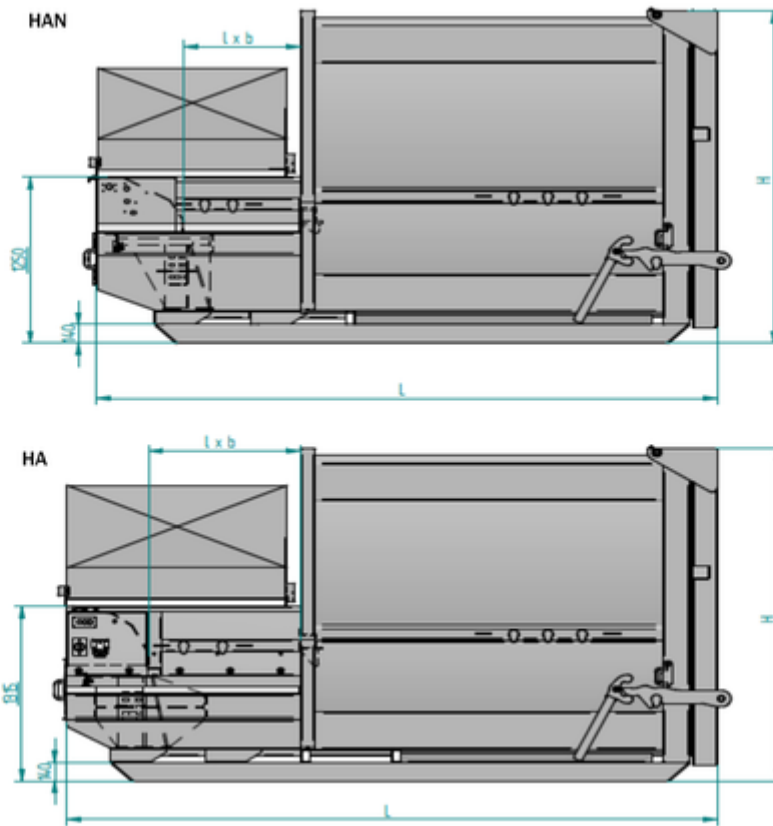
The bent corner profiles ensure particular stability and the elegant rounded corner design. The robust, continuously welded steel construction prevents rust creep.

High-quality components ensure reliable function, low maintenance and quiet operation < 70 dB (A).

Handling is easy, a foundation is not required, and the unit can be put into service immediately.

Of course our paints are lead and chromium free, and you can select the colour of your choice.

**Mobile compactors**  
**Skip lift container**



		HA 8 R	HA 10 R	HA 12 R	HAN 6 R	HAN 8 R	HAN 10 R	HAN 12 R
Content	m <sup>3</sup>	8	10	12	6	8	10	12
Length (L)	mm	3700	4200	4700	3500	3500	4000	4500
Width (B)	mm	2040	2040	2040	2040	2040	2040	2040
Height (H)	mm	2500	2500	2500	1900	2500	2500	2500
Dimension A	mm	1312	1315	1315	1250	1250	1250	1250
Feeding opening	mm	1000 x 1500	1000 x 1500	1000 x 1500	750 x 1500	750 x 1500	750 x 1500	750 x 1500
Stroke length	mm	1270	1270	1270	935	935	935	935
Plunger surface area (h x b / height x width)	mm	545 x 1500	545 x 1500	545 x 1500	505 x 1500	505 x 1500	505 x 1500	505 x 1500
Feeding volume, max.	m <sup>3</sup>	1,4	1,4	1,4	1,1	1,1	1,1	1,1
Stroke volume	m <sup>3</sup>	0,6	0,6	0,6	0,5	0,5	0,5	0,5
Compaction force	kN	300	300	300	250	250	250	250
Specific Compaction force	kN/m <sup>2</sup>	370	370	370	250	333	333	333
Cycle time	S	36	36	36	25	25	25	25
Machine weight	kg	2800	2950	3000	2200	2300	2500	2500
Motor power rating	kW	5,5	5,5	5,5	5,5	5,5	5,5	5,5
Electrical power supply		3 L / N / PE; 400 V, 50 Hz						

Subject to technical modifications without notice